

TECHNICAL INFORMATION

PERFIL ENCASTRAR EM PLADUR

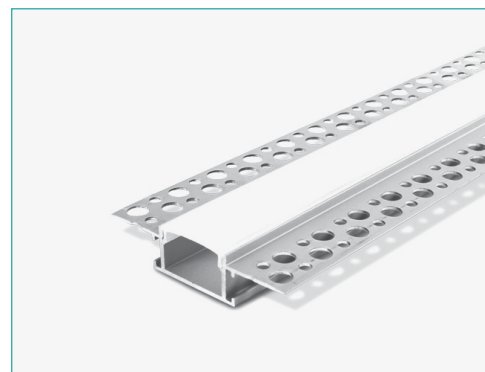
3 METERS

Perfil Encastrar em Pladur com Difusor Fita LED

LED Strip Recessed Profile

Perfil de Empotrar Tira de LED

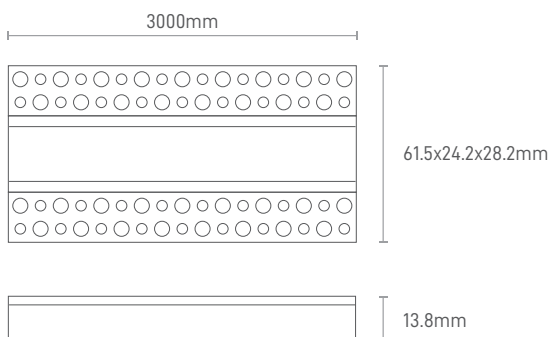
ILAR-01041



REFERENCE		DIMENSION & WEIGHT	
Reference	ILAR-01041	Length	3 Meters
Type	PERFIL LED	Width	61.5x24.2x28.2mm
Material	Aluminium / OPAL	Height	13.8mm
Difuser	ABS		
Mouting Type	Recessed		

ENERGY LABEL & STANDARS		CERTIFICATIONS	
Type of Protection	IP20	CE	YES
		ROHS	YES
		WARRANTY	2 YEARS

SIZE



Designed by Aronlight in Portugal. Made in PRC

