

TECHNICAL INFORMATIONS

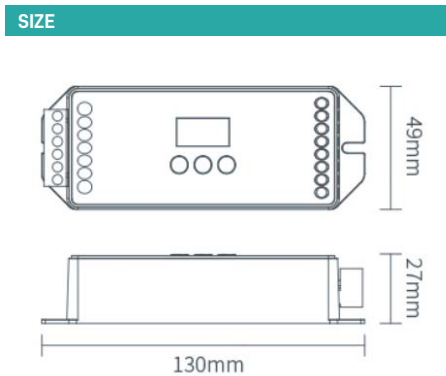
RGB CCT CONTROLLER

DMX512 RDM 20A D5-CX

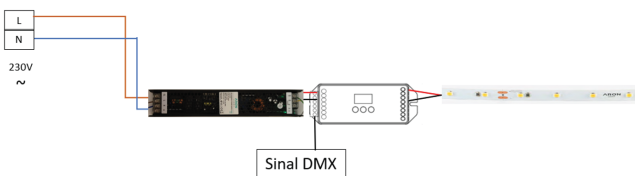


ILAR-01786

OUTPUT	
SKU	ILAR-01786
Input Voltage	DC12~24V
Total Output	Max 20A
Input Signal	Dmx512, RDM
DALI Bus Standard	Occupy 5 DMX Address
IP Rate	-
Working Temperature	-20°C~60°C



INSTALLATION



Designed by Aronlight in Portugal. Made in PRC

