

TECHNICAL INFORMATIONS

HAZEL ESPIGÃO IP66

GU10 BLACK

Linha de jardim com design moderno. Materiais em plástico ABS PC.

Garden line with modern design. Made of ABS PC plastic.

Linha de jardín de diseño moderno. Elaborado en plástico ABS PC.

*Lamps not included / Lâmpadas não incluídas / Lámparas no incluidas.



ILAR-01676

REFERENCE

Reference	ILAR-01676
Base	-
Body Material	ABS & PC
Housing Colour	Black
Nominal Lifetime (EOL end of life)	-
Surface/Recessed	Recessed
Dimmable	NO

DIMENSION & WEIGHT

Size	Ø86x155x73x162mm
Cable	30cm 2x0.75mm ² rubber cable
Packaging Unit	20pcs
Gross Weight	-
Volume	-

PHOTOMETRICAL DATA

Total Luminous Flux	-
Luminous Efficacy	-
Beam Angle	-
Colour Temperature	-
Colour Rendering Index	-

ELECTRICAL AND OPERATING DATA

Nominal Wattage	-
Nominal Voltage	220-240V
Operating Frequency	50/60Hz
Operating Temperature	-25° C to +45° C
Starting Time 100% ON	-
ON/OFF Cycles	-

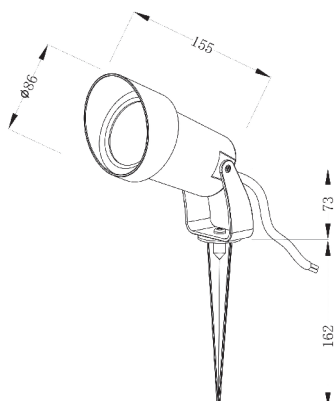
ENERGY LABEL & STANDARS

Energy Label	A+
Energy Consumption KWH/1000H	-
Type of Protection	IP66
Protection Class	Class II
Proteccion Class IK (shock resistance)	IK06

CERTIFICATIONS

2014/30/EU (EMC Directive)	-
2014/35/EU (LVD Directive)	YES
ROHS	YES
Warranty	3 YEARS

SIZE



Designed by Aron Light in Portugal. Made in PRC

