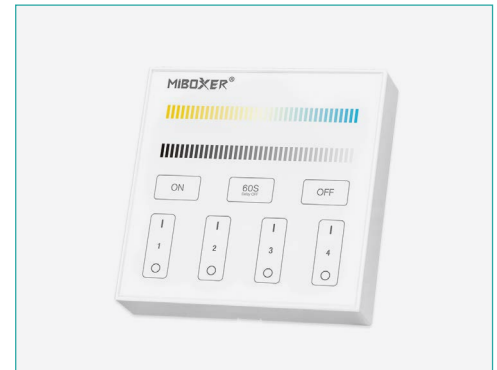


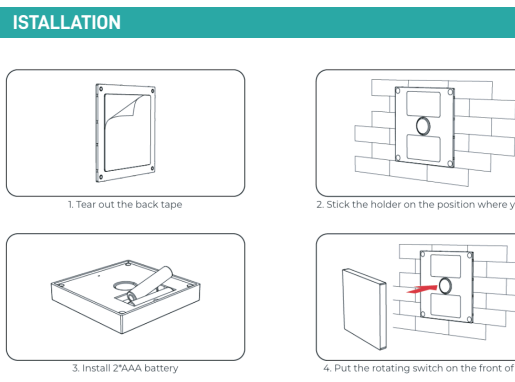
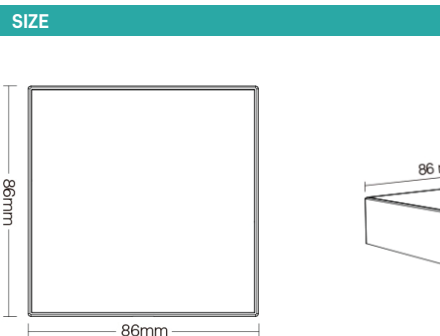
## TECHNICAL INFORMATIONS

# WIRELESS PANEL 4 ZONES CCT



### ILAR-01622

OUTPUT	
SKU	ILAR-01622
Working Voltage	3V (AAA * 2PCS)
Standby Power Consumption	20µA
Transmitting Power	6dBm
RF	2.4GHz
Control Distance	30m
Transmission Frequency	2400-2483.5MHz
Modulation Method	GFSK
Working Temperature	-10~40°C
Brightness Adjustable	Yes



Designed by Aronlight in Portugal. Made in PRC

